

TIDESMARINE



Sail Track and Slide System Before Ordering



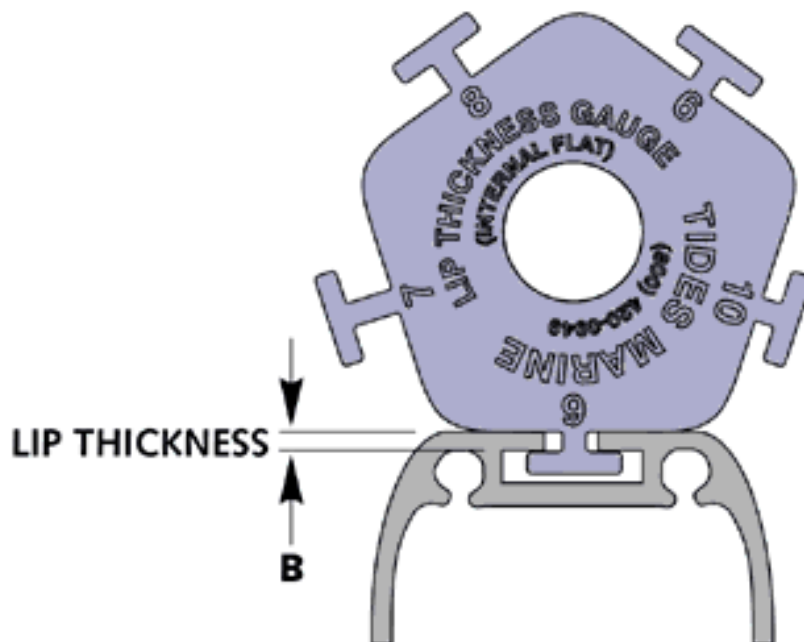
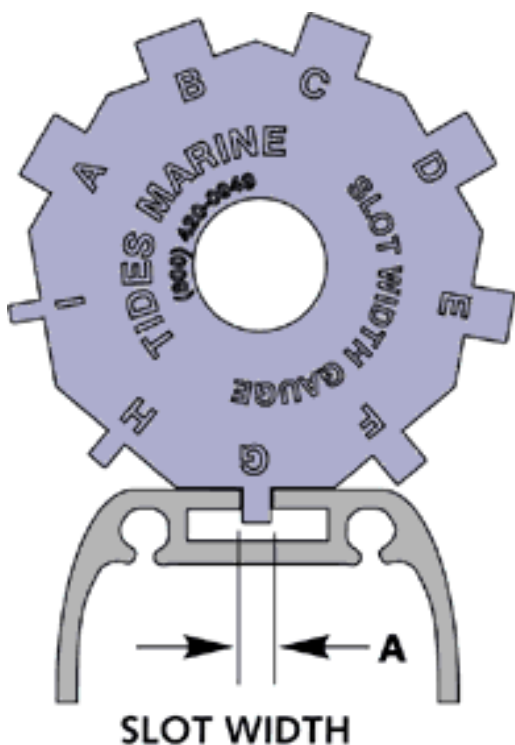
Before Ordering

Prior to placing your order, you must determine the size and style of the mast groove (width "A" and lip thickness "B"), or width of existing external track "F".

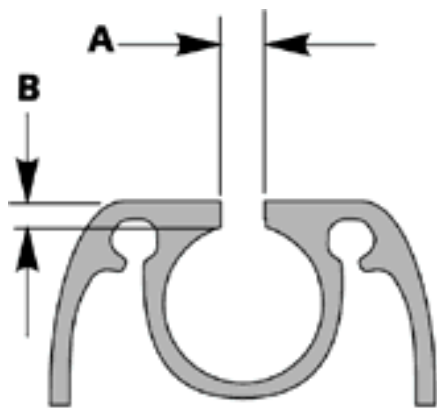
Tides will send you a set of measurement discs which were developed for this purpose (see below).



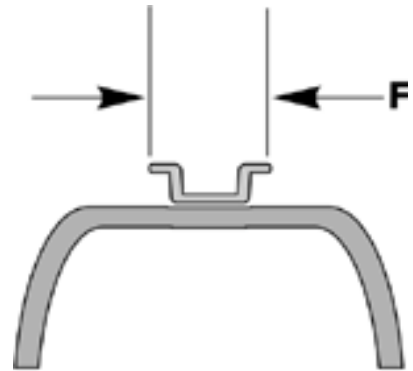
Each disc has a series of gauged studs which correspond to the most common mast groove configurations. The discs with numbered studs are for determining slot lip thickness. Lettered discs are for determining slot width.



INTERNAL FLAT



INTERNAL ROUND

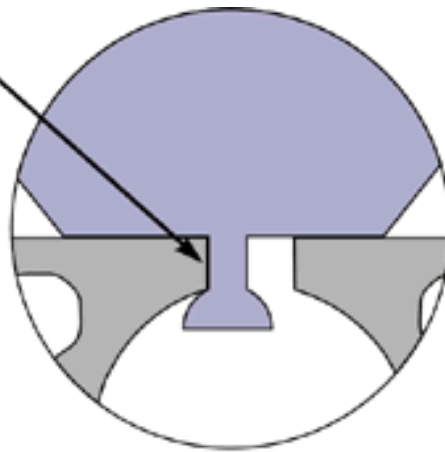


EXTERNAL

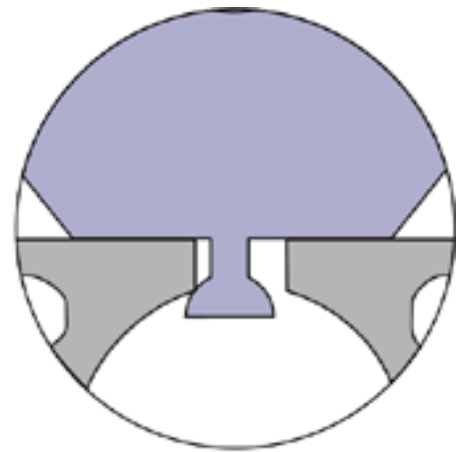


NOTE*
When measuring the lip thickness of internal round styles, be sure the gauge is in contact with the lip surface without any gaps as shown.

NO GAP



CORRECT



INCORRECT

Tides Marine

3251A S.W. 13th Drive
Deerfield Beach, FL 33442
(800) 420-0949
Tel: (954) 420-0949
Fax: (954) 420-5234